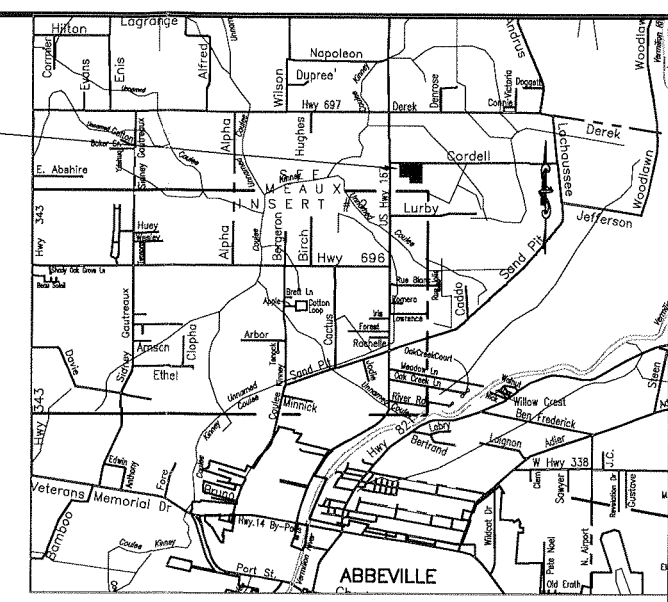


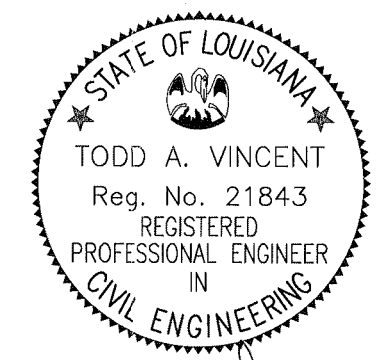
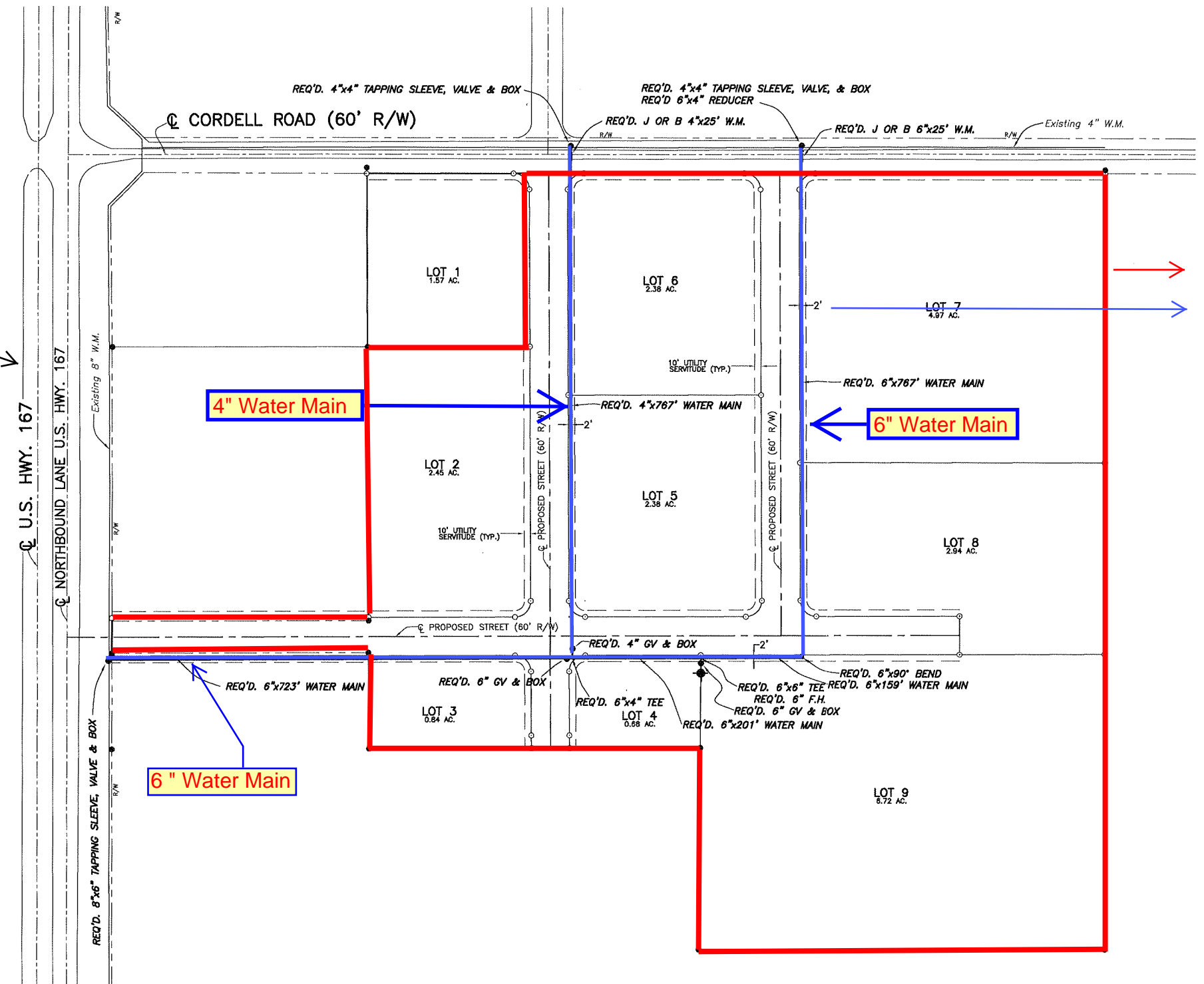
Scale: 1"=200'

PROPERTY SHOWN



VICINITY MAP
SCALE: 1"=10,000'

US Hwy 167



Todd A. Vincent
10/26/07

REVISIONS

DATE	BY

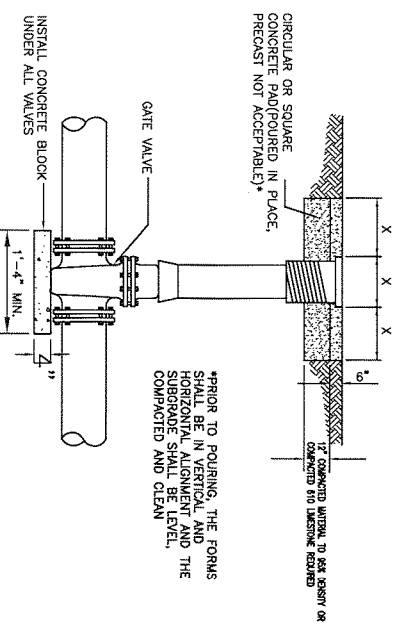
SHEET DESCRIPTION
WATER PLANS

Sellers & Associates, Inc.
ENGINEERS SURVEYORS
Lafayette - Abbeville - Louisiana

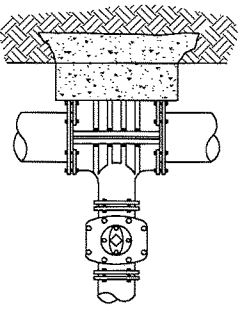
WATERLINE EXTENSION TO
DEERE PARK SUBDIVISION

FOR
WATERWORKS DISTRICT NO. 1
LOCATED IN SECTION 1, T-12-S, R-3-E
VERMILION PARISH, LOUISIANA

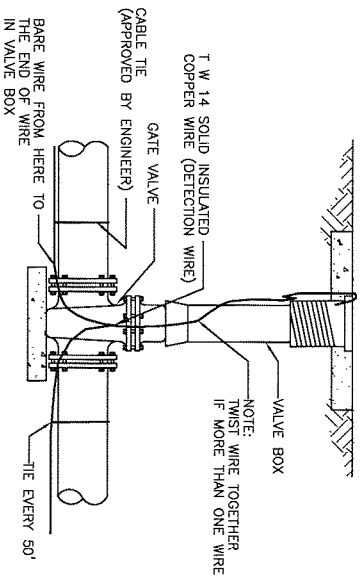
ENGINEER TAV
DRAWN BY SMB
DATE OCTOBER 12, 2007
SCALE 1" = 200'
PROJECT NO. 6818-67
FILE NO. 0-0-00
ACAD. DWG. NO. \\DATA\6818-67\Water Plans
SHEET 1
OF 2 SHEETS



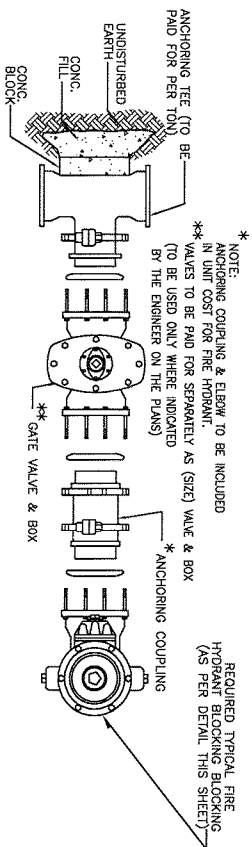
TYPICAL VALVE & BOX INSTALLATION



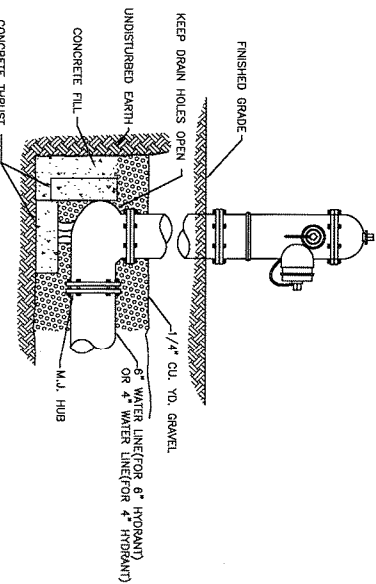
TYPICAL TAPPING SLEEVE & VALVE



TYPICAL DETECTION WIRE INSTALLATION

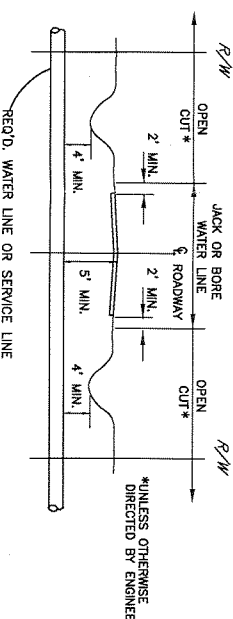


TYPICAL FIRE HYDRANT INSTALLATION - M.J. TYPE 1

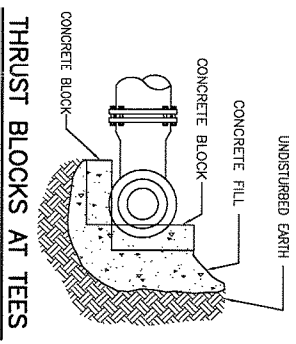


TYPICAL FIRE (FLUSHING) HYDRANT

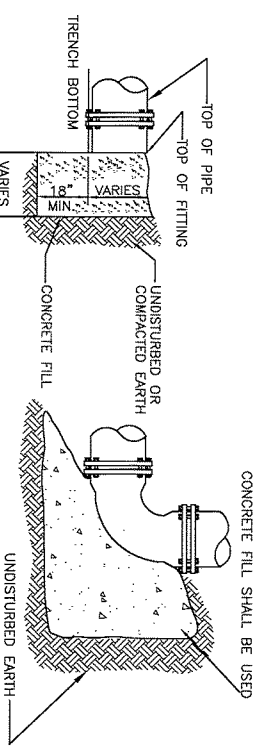
- NOTES:**
1. GATE VALVES SHALL BE INSTALLED ON 8-INCH FIRE HYDRANT LEADS ONLY.
 2. ALL FITTINGS, VALVES AND VALVE BOXES SHALL BE INSTALLED TO MATCH THE FINISHED SURFACE OF THE CONCRETE.
 3. ALL CONCRETE SLABS AROUND ALL VALVE BOXES SHALL BE POURED CIRCULAR OR SQUARE TO THE DIMENSIONS SHOWN ON THE DETAIL SHEET.
 4. A CONCRETE THRUST BLOCK IS REQUIRED UNDER ALL FITTINGS, VALVES AND FIRE HYDRANTS (NO DIRECT PAYMENT).
 5. BOLTS CANNOT BE COVERED WITH CONCRETE.
 6. CONCRETE (1'-2'-5) MUST BE MIXED THOROUGHLY PRIOR TO BEING POURED IN PLACE.
 7. ALL CONCRETE POURED IN PLACE CANNOT BE BACKFILLED FOR 24 HOURS MINIMUM.
 8. NO GLUE JOINT FITTINGS OR PIPE ARE ALLOWED ON ANY MAIN LINE OR SERVICE LINE.
 9. ALL FITTINGS, VALVES, FIRE HYDRANTS, PIPE, AND SERVICE LINES MUST CONFORM TO THE TECHNICAL SPECIFICATIONS.
 10. MINIMUM LENGTH OF PIPE INSTALLED AROUND ALL VALVE BOXES SHALL BE 24 HOURS MINIMUM.
 11. RESTRAIN FITTINGS TO STEEL CASING.
 12. MINIMUM LENGTH OF PIPE INSTALLED MUST BE AT LEAST 5 PIPE DIAMETERS. PIPE ENDS MUST BE SQUARE WHEN INSTALLING M.J. FITTINGS.
 13. FIRE (FLUSHING) HYDRANTS SHALL CONFORM TO SECTION 4-4.2, ARTICLE 2.2 OF THE SPECIFICATIONS, EXCEPT THAT NO PUMPER NOZZLE SHALL BE PROVIDED. ALL FIRE HYDRANTS IN THIS PROJECT ARE FOR FLUSHING PURPOSES ONLY.



TYPICAL PARISH STREET CROSSING



THRUST BLOCKS AT TEES



TYPICAL THRUST BLOCKING FOR ALL BENDS 6\"/>

PIPE SIZE	THRUST BLOCK BEARING AREA IN SQUARE FEET	MINIMUM COUNT OF BLOCKS
6"	45' BEND	2
8"	22 1/2' BEND	1.5
10"	TEE	3
12"	TEE	4
12"	TEE	5
12"	TEE	7

STATE OF LOUISIANA
 TODD A. VINCENT
 Reg. No. 21843
 REGISTERED PROFESSIONAL ENGINEER
 IN CIVIL ENGINEERING

Todd A. Vincent
 1/10/08

ENGINEER
 TAV
DRAWN BY
 SMG
DATE
 OCTOBER 12, 2007
SCALE
 NTS
PROJECT NO.
 6918-67
FILE NO.
 0-0-00
ACAD. DWG. NO.
 V01A10818-47/Water Details
SHEET
 2
OF 2 SHEETS

WATERLINE EXTENSION TO DEERE PARK SUBDIVISION
 FOR
WATERWORKS DISTRICT NO. 1
 LOCATED IN SECTION 1, T-12-S, R-3-E
 VERMILION PARISH, LOUISIANA

SHEET DESCRIPTION
 WATER DETAILS

Sellers & Associates, Inc.
 ENGINEERS SURVEYORS PLANNERS
 Lafayette - Abbeville Louisiana

REVISIONS

DATE	BY
12/31/07	SMG

REVISIONS

DATE	BY
12/31/07	SMG